

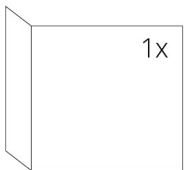
SPECIFICATIONS

Rated thermal input	5 kW
Efficiency	84 %
Smoke flue diameter	150 mm
Min. thrust (under pressure) for rated thermal input	12 Pa
Fuel gas temperature	206 °C
Volume of fuel gas	4,3 g/s
CO emissions in fuel gas (at 13 % O ₂)	0,0946 %
Dust in the fuel gas (at 13 % O ₂)	17 mg/Nm ³
Volume of fuel per hour	1,53 kg/h
Fuel	wood (beech logs)
Weight	203 kg



LIST OF SPARE PARTS

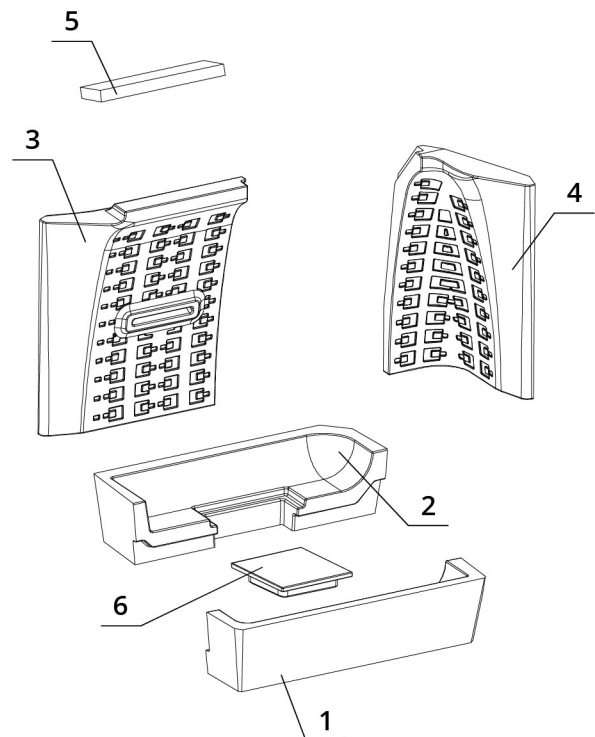
Glass



530 x 330 x 468 mm

Carcon stones

1. Front bottom
2. Back bottom
3. Back
4. Side
5. Deflector
6. Carcon blend



BEF FEEL V 6 CL

BImSchV
Stufe 2

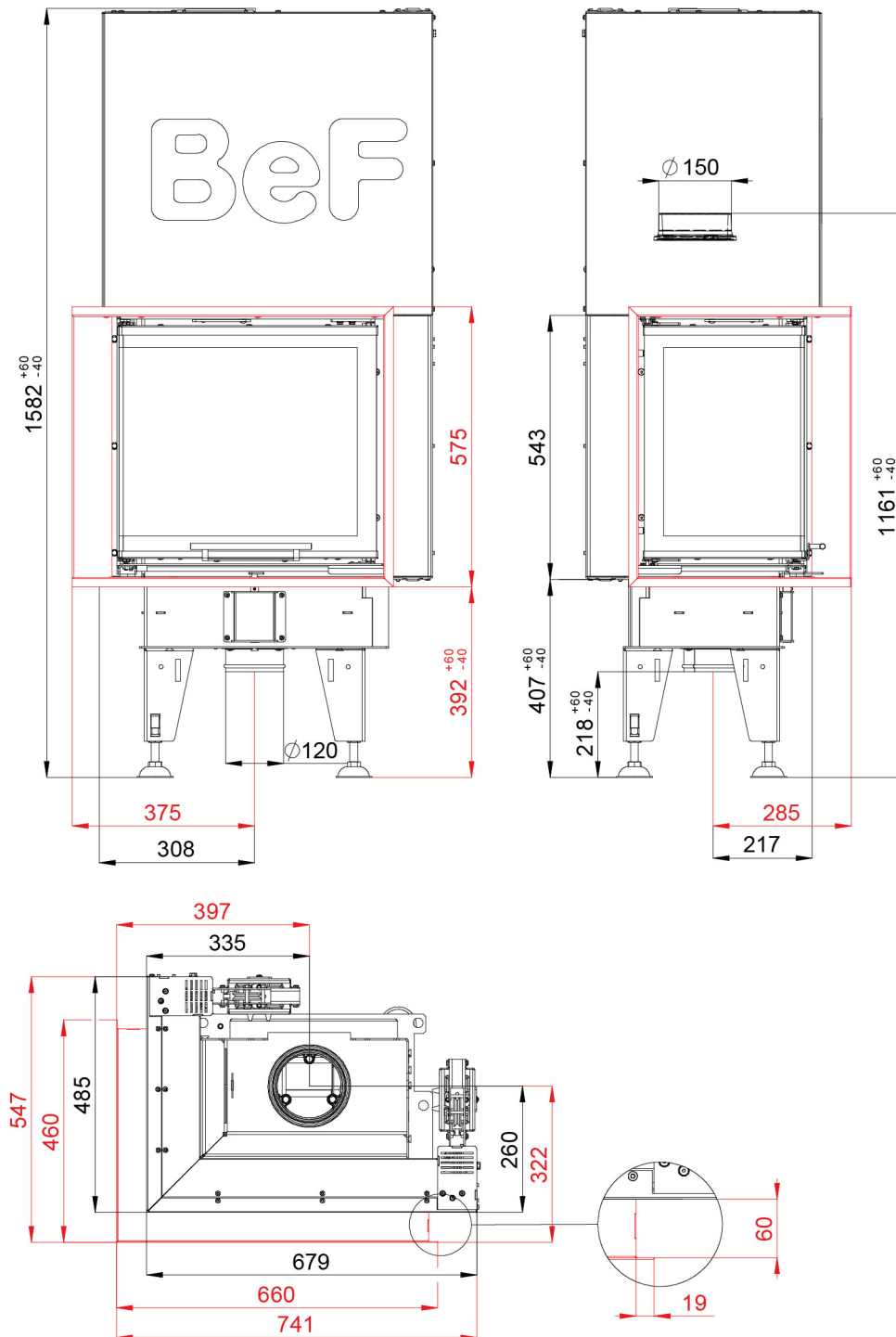
15a
B - VG

ČSN EN
13229

eco
design

www.befhome.com

TECHNICAL DRAWING



BEF FEEL V 6 CL

BlmSchV
Stufe 2

15a
B-VG

ČSN EN
13229

eco
design