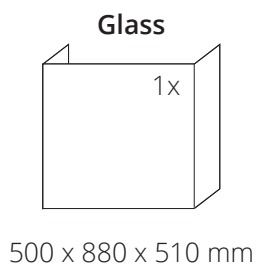


TECHNICAL DATA

Nominal heat output	8 kW
Efficiency	84 %
Smoke flue diameter	200 mm
Min. feed pressure at nominal heat output	12 Pa
Flue-gas temperature	257 °C
Volume flow of combustion products	6 g/s
CO emission in burnt gas (in relation to 13 % O ₂)	0,0868 %
Dust in flue - gas (in relation to 13 % O ₂)	18 mg/Nm ³
Fuel consumption per hour	2,7 kg/h
Fuel	wood (beech logs)
Weight	380 kg

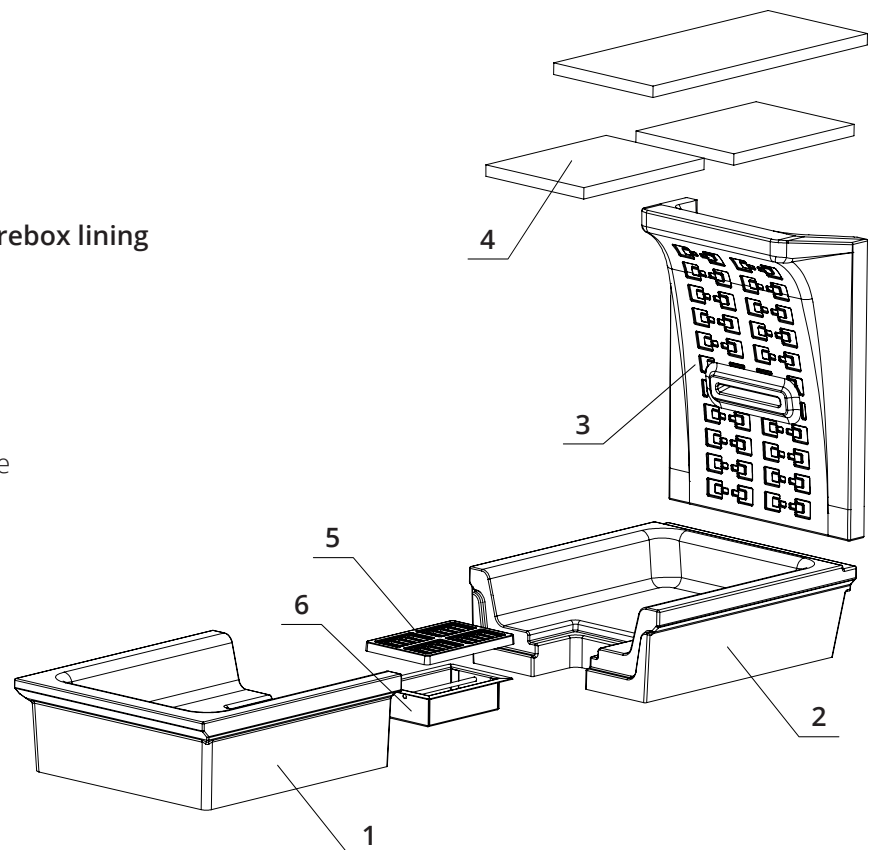


LIST OF SPARE PARTS



Set of carcon firebox lining

1. Front bottom
2. Back bottom
3. Back
4. Deflector
5. Cast iron grate
6. Ashtray

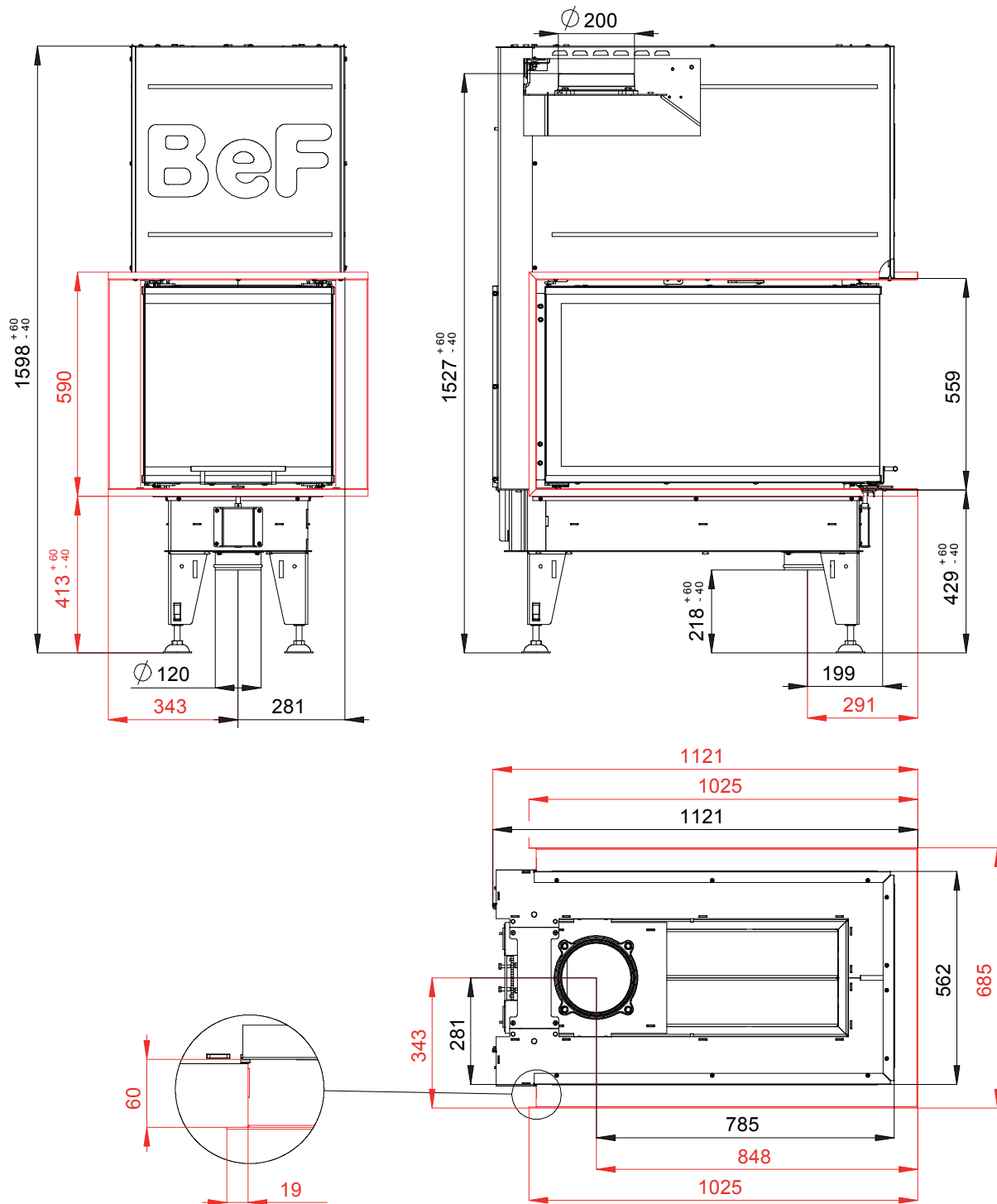


BEF THERM V 8 U

BlmSchV Stufe 2	15a B - VG	ČSN EN 13229
--------------------	---------------	-----------------

www.befhome.com

TECHNICAL DRAWING



BEF THERM V 8 U

BImSchV Stufe 2	15a B-VG	ČSN EN 13229
--------------------	-------------	-----------------

www.befhome.com