

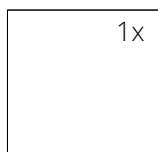
TECHNICAL DATA

Nominal heat output	13 kW
Efficiency	84 %
Smoke flue diameter	200 mm
Min. feed pressure at nominal heat output	12 Pa
Flue-gas temperature	235 °C
Volume flow of combustion products	10,2 g/s
CO emission in burnt gas (in relation to 13 % O ₂)	0,0877 %
Dust in flue - gas (in relation to 13 % O ₂)	11 mg/Nm ³
Fuel consumption per hour	3,6 kg/h
Fuel	wood (beech logs)
Weight	337 kg



LIST OF SPARE PARTS

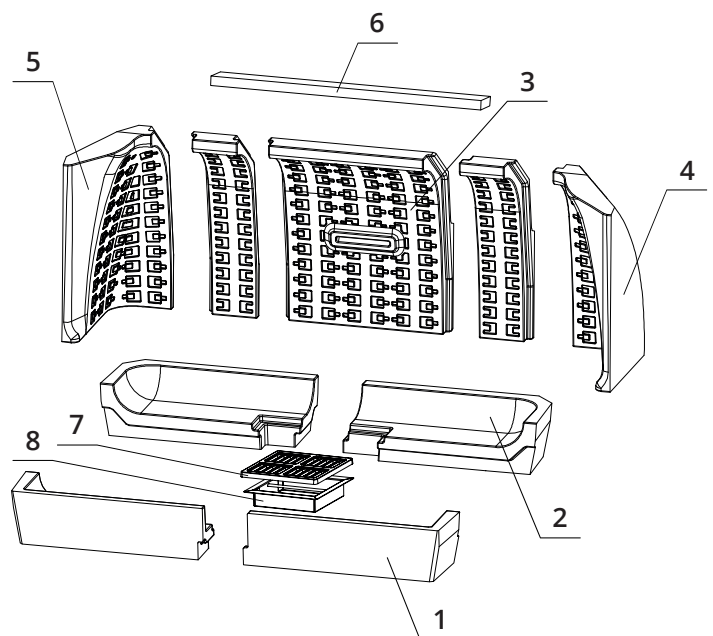
Glass



950 x 468 mm

Set of carcon firebox lining

1. Front bottom
2. Back bottom
3. Back
4. Right side
5. Left side
6. Deflector
7. Cast iron grate
8. Ashtray



BEF THERM V 10

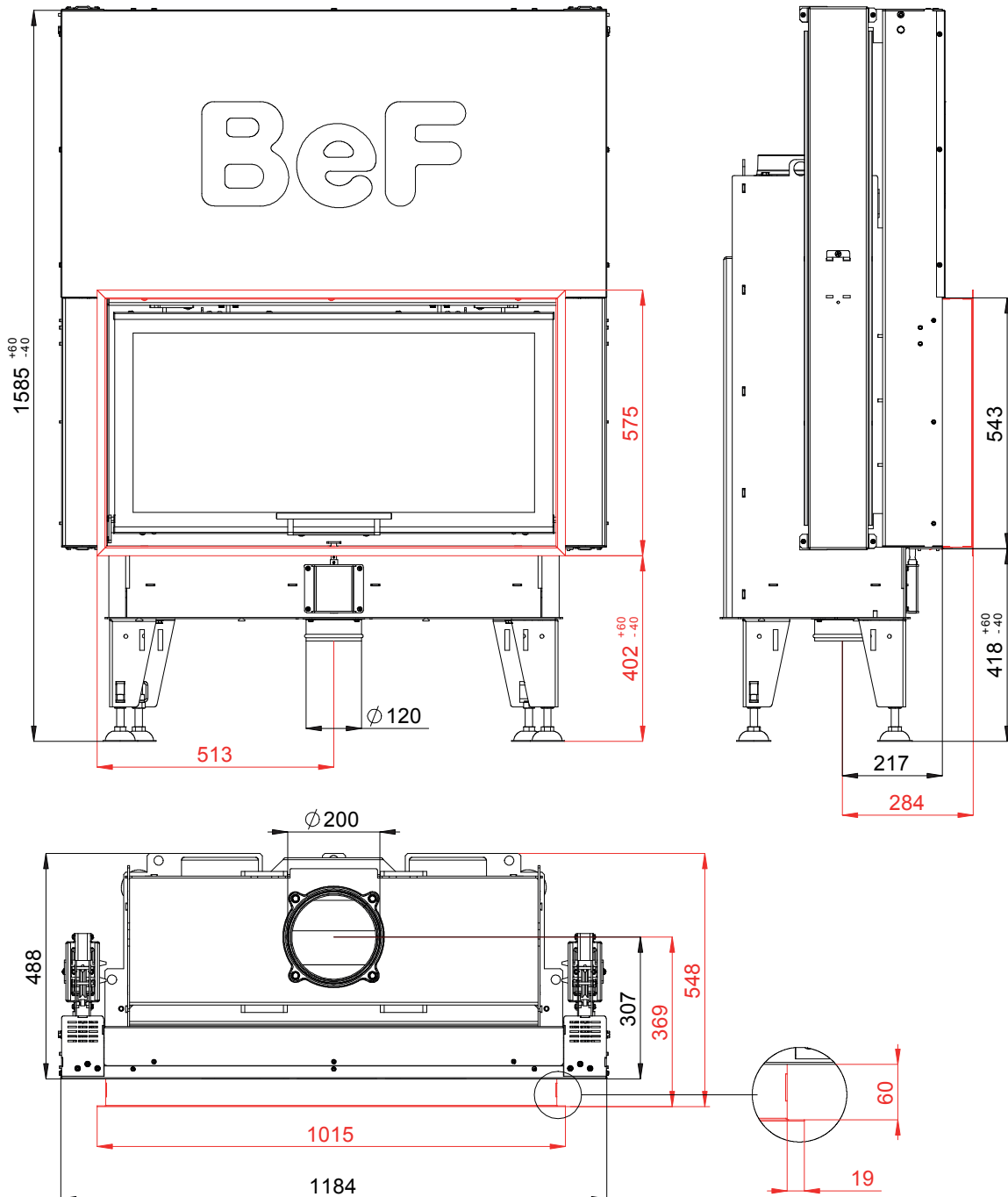
BlmSchV
Stufe 2

15a
B-VG

ČSN EN
13229

www.befhome.com

TECHNICAL DRAWING



BEF THERM V 10

BlmSchV Stufe 2	15a B-VG	ČSN EN 13229
--------------------	-------------	-----------------

www.befhome.com