

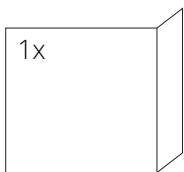
TECHNICAL DATA

Nominal heat output	7 kW
Efficiency	82 %
Smoke flue diameter	150 mm
Min. feed pressure at nominal heat output	12 Pa
Flue-gas temperature	264 °C
Volume flow of combustion products	5,6 g/s
CO emission in burnt gas (in relation to 13 % O ₂)	0,0868 %
Dust in flue - gas (in relation to 13 % O ₂)	19 mg/Nm ³
Fuel consumption per hour	2,05 kg/h
Fuel	wood (beech logs)
Weight	141 kg



LIST OF SPARE PARTS

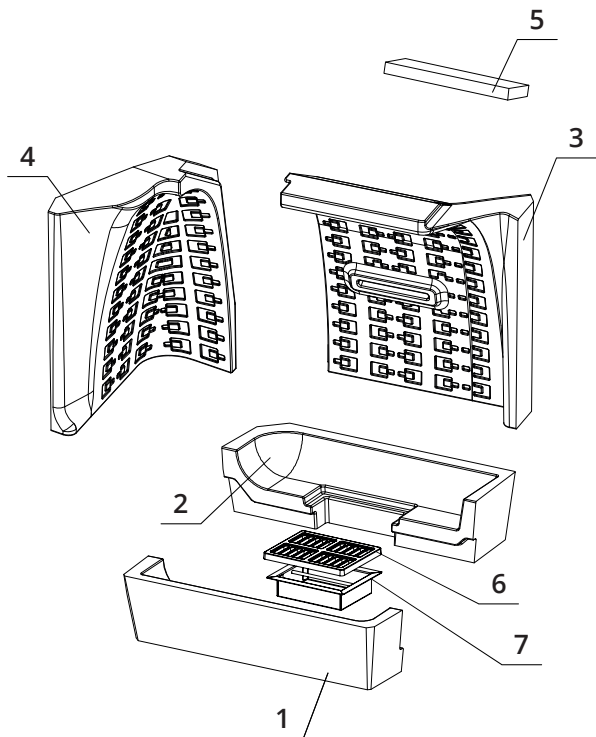
Glass



600 x 340 x 468 mm

Set of carcon firebox lining

1. Front bottom
2. Back bottom
3. Back
4. Side
5. Deflector
6. Cast iron grate
7. Ashtray



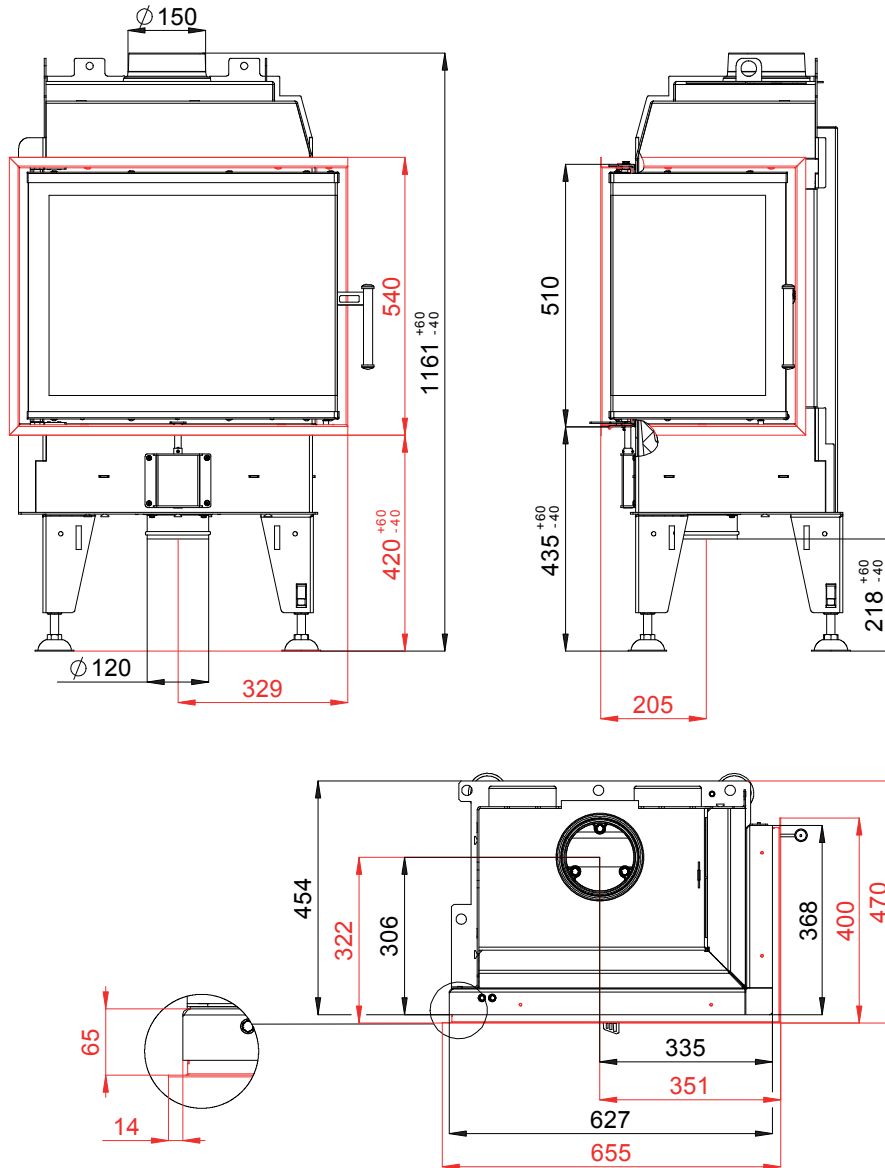
BEF THERM 7 CP

BlmSchV
Stufe 2

15a
B - VG

ČSN EN
13229

TECHNICAL DRAWING



BEF THERM 7 CP

BlmSchV Stufe 2 | 15a B-VG | ČSN EN 13229

www.befhome.com