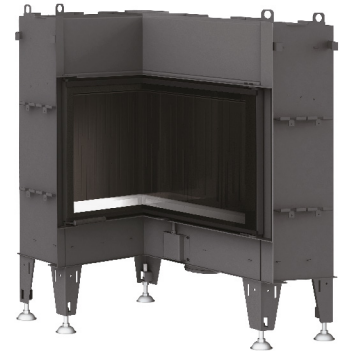


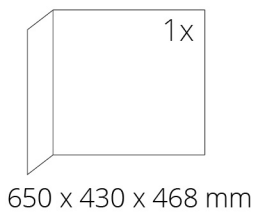
SPECIFICATIONS

Rated thermal input	8 kW
Efficiency	81 %
Smoke flue diameter	180 mm
Min. thrust (under pressure) for rated thermal input	12 Pa
Fuel gas temperature	212 °C
Volume of fuel gas	6 g/s
CO emissions in fuel gas (at 13 % O ₂)	0,0932 %
Dust in the fuel gas (at 13 % O ₂)	16 mg/Nm ³
Volume of fuel per hour	2,54 kg/h
Fuel	wood (beech logs)
Weight	249 kg



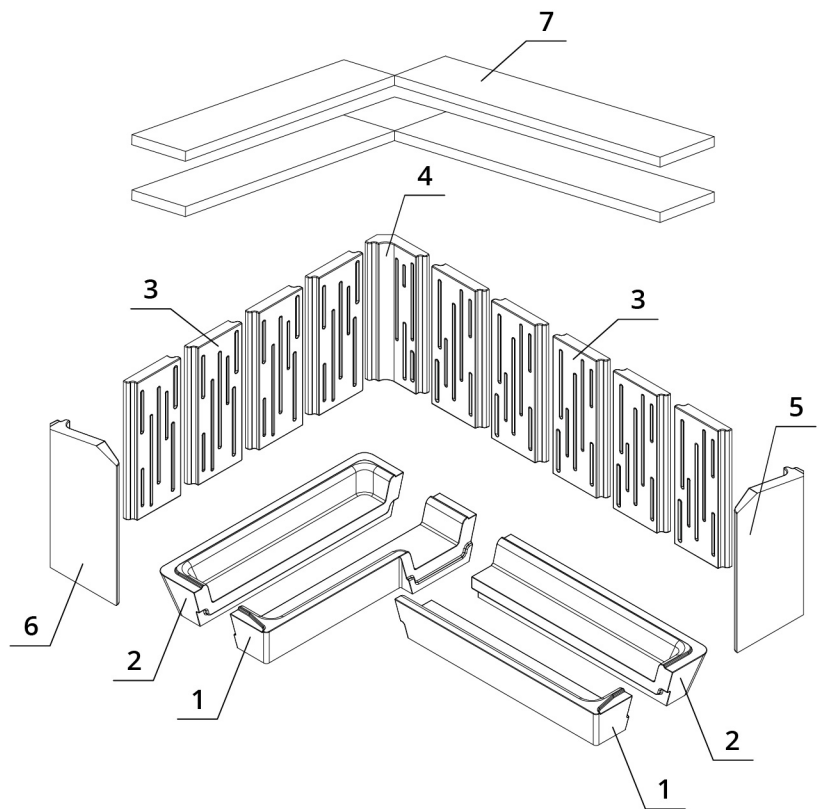
LIST OF SPARE PARTS

Glass



Carcon stones

1. Front bottom
2. Back bottom
3. Back
4. Corner backside
5. Right side
6. Left side
7. Deflector



BEF FLAT 8 L

ČSN EN
13229

