

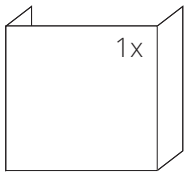
TECHNICAL DATA

Nominal heat output	13 kW
Efficiency	84 %
Smoke flue diameter	200 mm
Min. feed pressure at nominal heat output	12 Pa
Flue-gas temperature	235 °C
Volume flow of combustion products	10,2 g/s
CO emission in burnt gas (in relation to 13 % O ₂)	0,0877 %
Dust in flue - gas (in relation to 13 % O ₂)	11 mg/Nm ³
Fuel consumption per hour	3,6 kg/h
Fuel	wood (beech logs)
Weight	332 kg



LIST OF SPARE PARTS

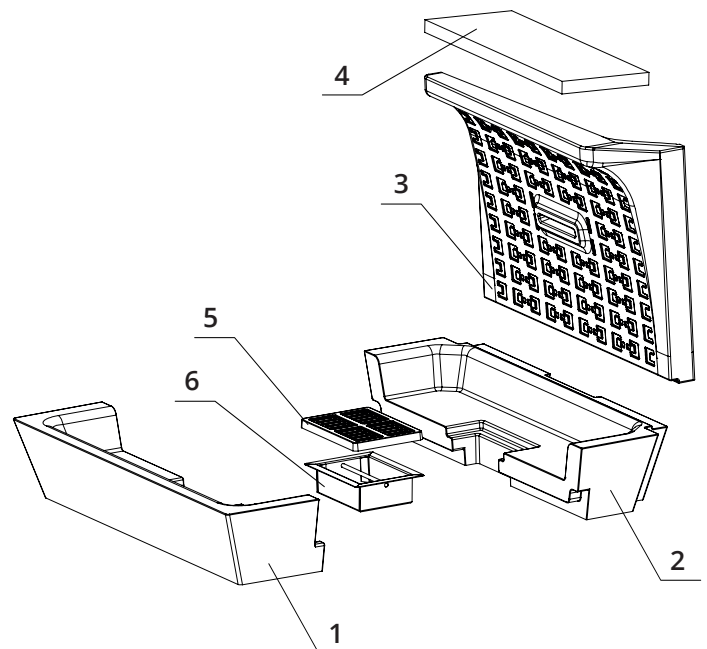
Glass



1060 x 400 x 510 mm

Set of carcon firebox lining

1. Front bottom
2. Back bottom
3. Back
4. Deflector
5. Cast iron grate
6. Ashtray



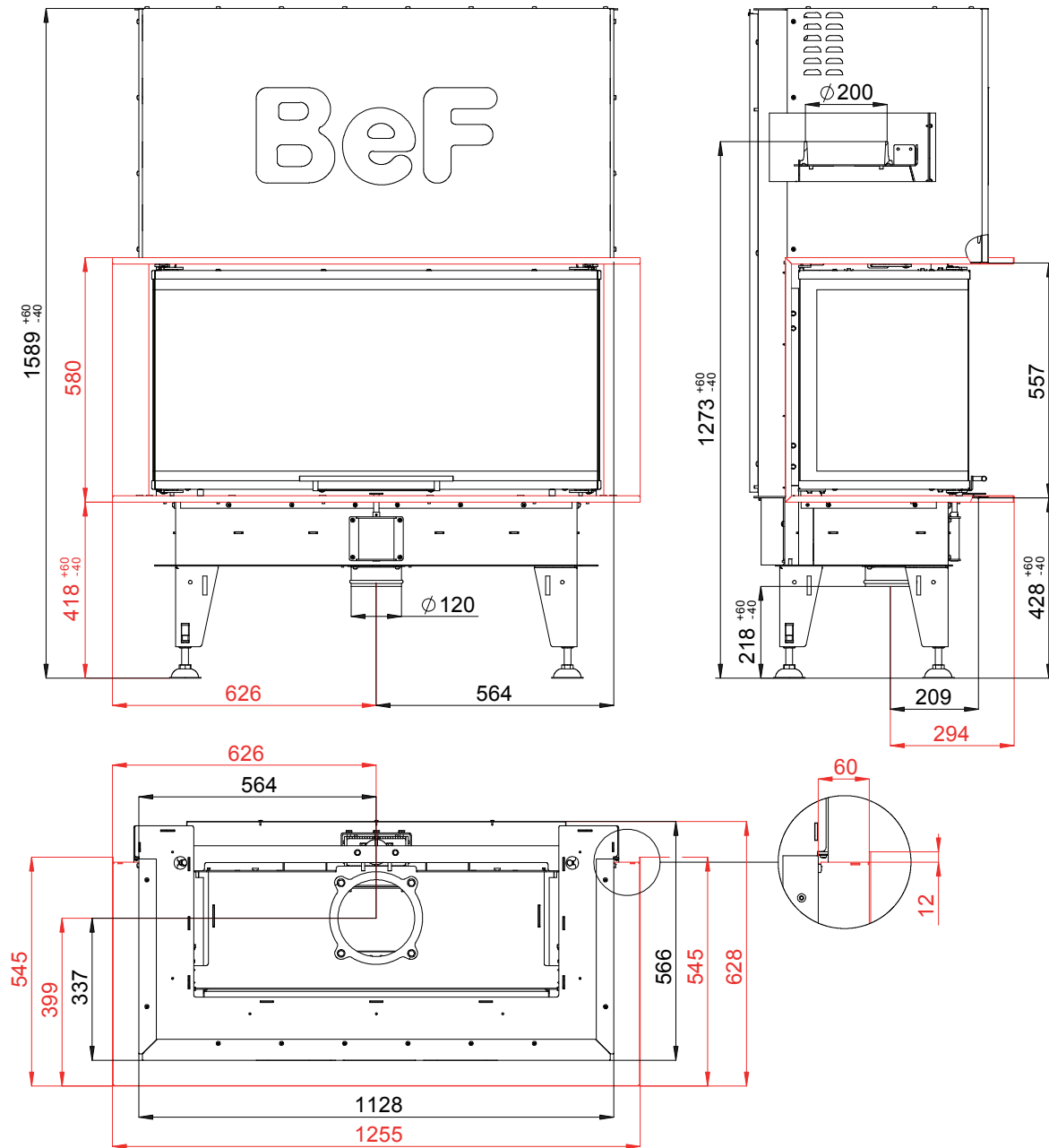
BEF THERM V 10 C

BlmSchV
Stufe 2

15a
B - VG

ČSN EN
13229

TECHNICAL DRAWING



BEF THERM V 10 C

BlmSchV Stufe 2	15a B - VG	ČSN EN 13229
--------------------	---------------	-----------------

www.befhome.com